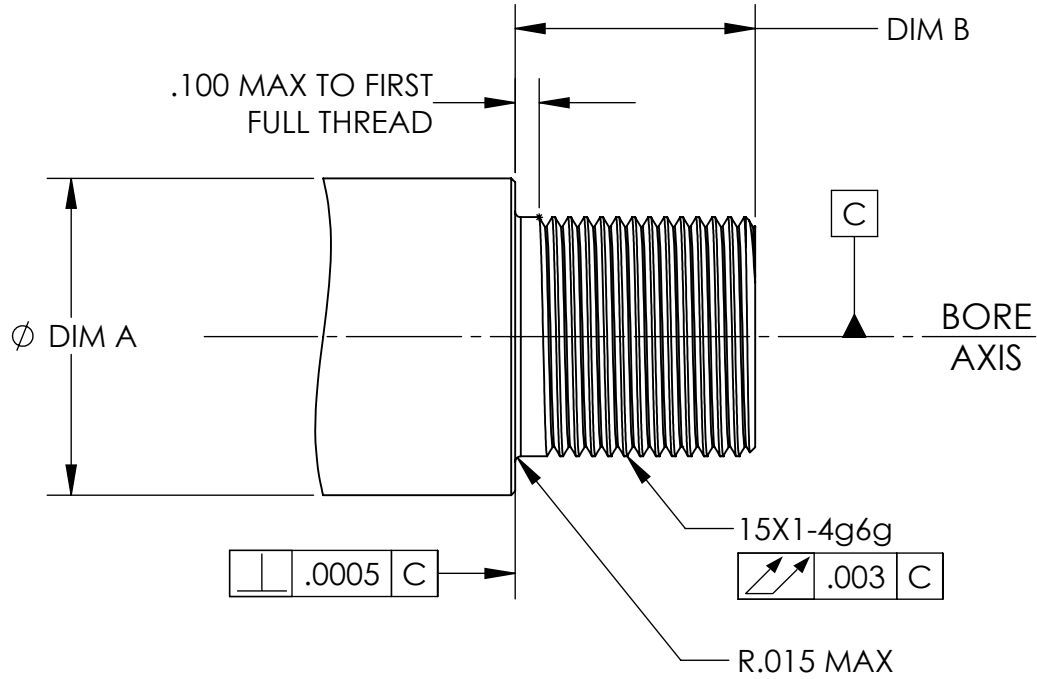


15X1-4g6g BARREL THREAD SPECIFICATION



BRAKE	'DIM A'	'DIM B'	
	MINIMUM	RECOMMENDED	RANGE
HYPERTAP	16.5mm	15mm	13-18mm

TOLERANCES UNLESS OTHERWISE SPECIFIED:	PROPRIETARY AND CONFIDENTIAL	© COPYRIGHT	DATE 09-15-20
DIMENSIONS ARE IN INCHES FRACTIONAL: ±1/64 ANGULAR: ±1° TWO PLACE DECIMAL ±.01 THREE PLACE DECIMAL ±.005 DIA'S CONCENTRIC WITHIN .005 TIR REMOVE BURRS AND SHARP EDGES .010 x 45° MAX	THE INFORMATION CONTAINED IN THIS DRAWING IS THE SOLE PROPERTY OF PRECISION ARMAMENT. ANY REPRODUCTION IN PART OR AS A WHOLE WITHOUT THE WRITTEN PERMISSION OF PRECISION ARMAMENT IS PROHIBITED.	PRECISION ARMAMENT 4110 NILES HILL ROAD WELLSVILLE, N.Y. 14895	SCALE FULL DRAWN BY MLV APPR BY MLV
MATERIAL	TITLE: 15X1mm BARREL THREAD SPECIFICATION		REV
FINISH	DWG. NO.		
DO NOT SCALE DRAWING			