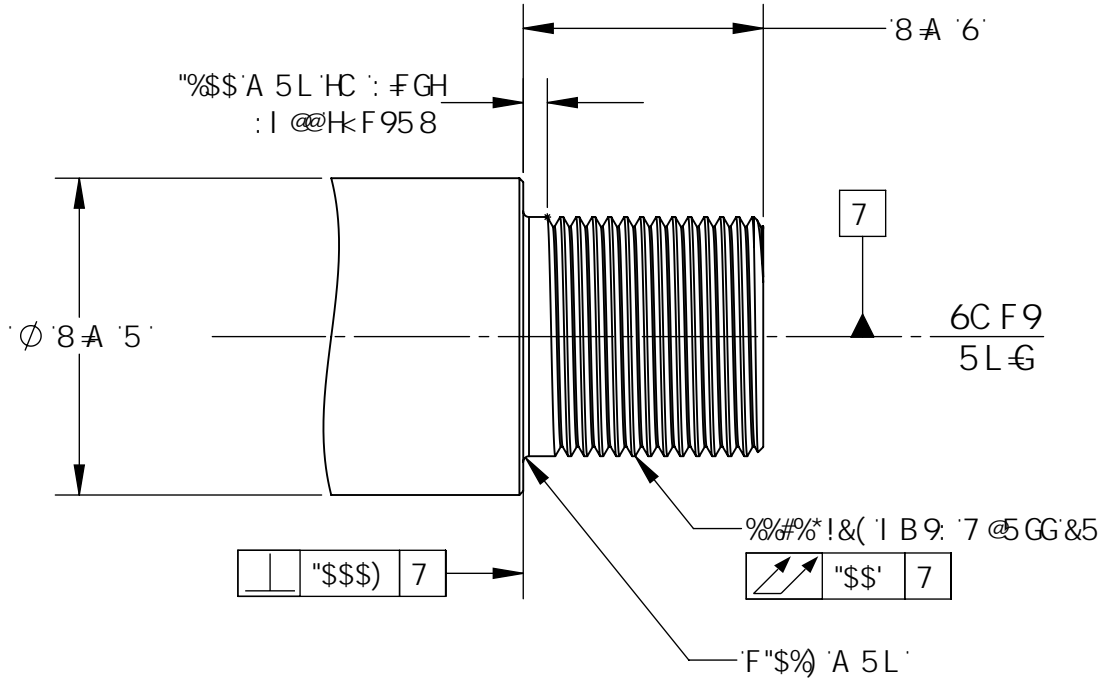


%/#/%*!&(!I B9.!&5 '65FF9@HkF958'GD97 ÷ ÷ 7 5H€B



6F5?9	8-A '5fi	8-A '6fi	
	A B-A I A	F97 C A A 9B898	F5B; 9
<MD9FH5D	"* +)	"* &)	") \$\$!"+) \$

HC @F5B79G1 B @GG CH:9FK @9GD97 ÷ 98.	DFCD 9 5FM5B8 7CB: 89B H5@	7 C DMF ÷ <H	85H9 \$*!%&1%
8-A 9BGC BG5F9 B 'B7 <9G : F57 HC B5 @ ±%#" 5B: I @5F. ±%* HK C D@579897 A 5 @ ±\$% HkF99 D@579897 A 5 @ ±\$\$) 8-5 87 C B7 9BHF ÷ K ±k-B "\$\$) HF F9A C J 96I FFG5B8 G:5FD 98: 9G "\$%\$1 () * A 5L	H-9-B: CFA 5HC B 7 C B H5 B 98' B H-6 8F5K B: G1H-9GC @DFC D9FHMC: DF97 6C B 5FA 5A 9BH' 5BM F9DFC81 7HC B 'B D5FHCF 5G5' K <C @9K HkC1 Hk:9K F#9B D9FA 6G6 B C: DF97 6C B 5FA 5A 9BH6DFC <6#98"	DF97-6CB'5FA5A9BH 4110 NILES HILL ROAD WELLSVILLE, N.Y. 14895	G7 5 @ : I @ 8F5K B 6M A @ 5DDF 6M A @
A 5HF 5 @	H#09.	%/#/%*!&(!I B9: '65FF9@HkF958'GD97 ÷ ÷ 7 5H€B	
: B-G<	8K ; ""BC "		F9J
8C BCHG75@8F5K B:			