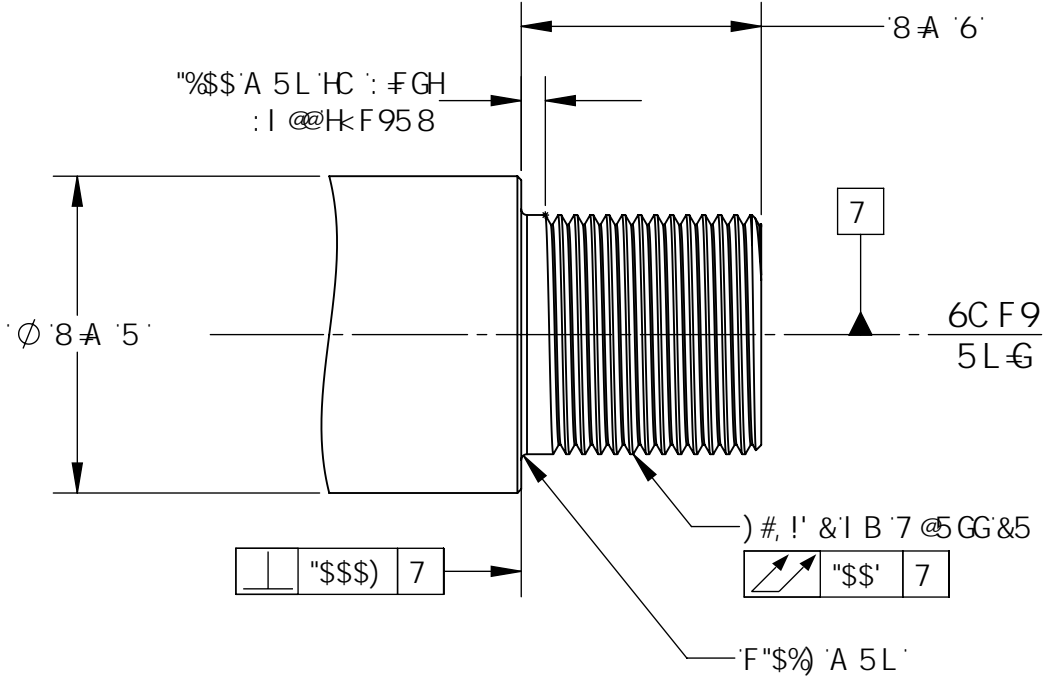


) #, !' & ! B ! & 5 '65 FF 9@ H K F 95 8 'GD 97 ÷ ÷ 7 5 H C B



6F5?9	8-A '5fi	8-A '6fi	
	A B A I A	F 97 C A A 9 B 8 9 8	F 5 B ; 9
< MD 9 F H 5 D	"* +)	"* &)	") \$ \$! " +) \$

HC @F 5 B 7 9 G I B @GG C H: 9 F K @9 GD 97 ÷ 98.	DFC DF-9 5 FM 5 B 8 7 C B: -8 9 B H 5 @	⑦ 7 C DMF ÷ < H	85 H 9 \$ * ! % @ ! %
8 A 9 B G C B G 5 F 9 B ' B 7 < 9 G : F 5 7 H C B 5 @ ± % " () 5 B : I @ 5 F. ± % H K C D @ 5 7 9 8 9 7 A 5 @ ± % \$ % H K F 9 9 D @ 5 7 9 8 9 7 A 5 @ ± % \$ \$) 8 5 1 6 7 C B 7 9 B H F ÷ K ± H B " \$ \$) H F F 9 A C J 9 6 I F F G 5 B 8 ' G : 5 F D 9 8 : 9 G " \$ % ! () * A 5 L	H-9 B: C F A 5 H C B 7 C B H 5 B 9 8 ' B H-6 8 F 5 K B: G H-9 G C @ 9 D F C D 9 F H M C : D F 9 7 G C B 5 F A 5 A 9 B H ' 5 B M F 9 D F C 8 I 7 H C B ' B D 5 F H C F 5 G 5 ' K < C @ 9 K H C I H K 9 K F H 9 B D 9 F A G G C B C : D F 9 7 G C B 5 F A 5 A 9 B H 6 D F C < 6 H 9 8 "	DF97-GCB'5FA5A9BH 4110 NILES HILL ROAD WELLSVILLE, N.Y. 14895	G 7 5 @ : I @ @ 8 F 5 K B 6 M A @ 5 D D F 6 M A @
A 5 H F 5 @	H H @ 9.) #, !' & ! B '65 FF 9@ H K F 95 8 'GD 97 ÷ ÷ 7 5 H C B	
: B G <	8 K ; " " B C "		F 9 J
8 C B C H G 7 5 @ 8 F 5 K B:			