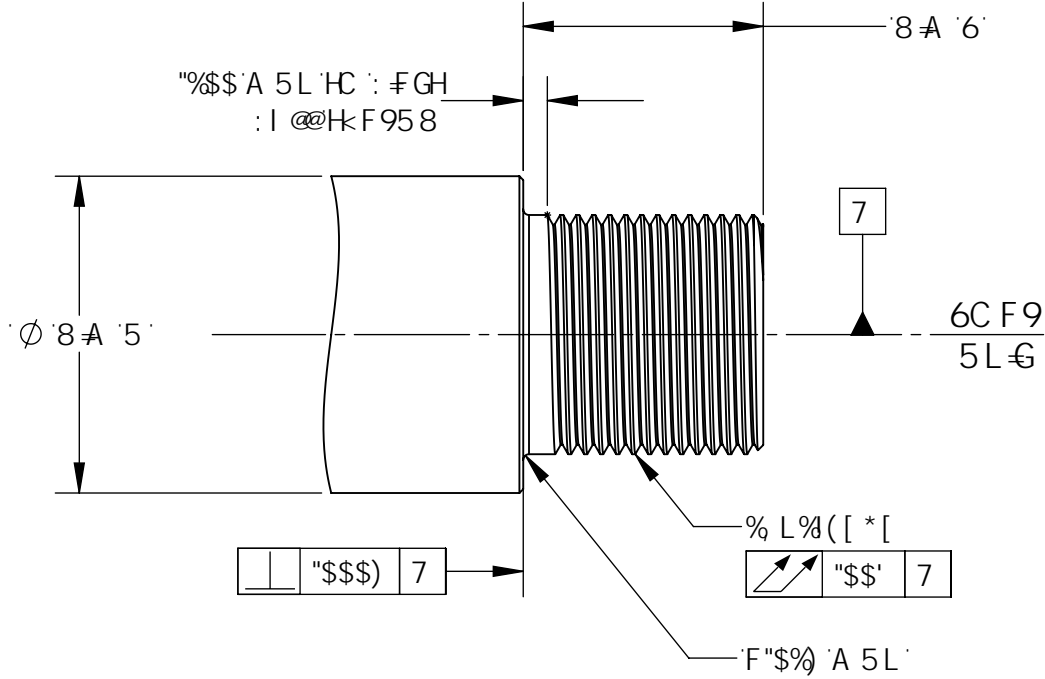


% L% ([* ['65FF9@HkF958 GD97 ÷ ÷ 7 5HC B



6F5?9	8-A 5fi	8-A 6fi	
	A B A I A	F97 C A A 9B898	F5B; 9
<MD9FH5D	% ") a a	%* a a	% !% a a

HC @F5B79G1 B @GG CH:9FK @9GD97 ÷ 98.	DFCD-95FM5B8 7CB: 89BH5@	7 C DMF ÷ <H	85H? \$*!%&1%
8-A 9BGC BG5F9 B B7 <9G : F57 HC B5 @ ±%#" 5B: I @5F: ±% HK C D@579897 A 5 @ ±\$% HkF99 D@579897 A 5 @ ±\$\$) 8-5167 C B7 9BHf ÷ K #k-B "\$\$ HF F9A C J 96l FFG5B8 G:5FD 98: 9G "\$%\$1 () * A 5L	H-9 B: CFA 5HC B 7 C B H B 98: B H-6 8F5K B: G1H-9GC @DFC D9FHMC: DF97 6C B 5FA 5A 9BH 5BM F9DFC81 7HC B B D5FHCF 5G5" K <C @K H:C I Hk:9K F#9B D9FA 6GC B C: DF97 6C B 5FA 5A 9BH6DFC <6#98"	DF97 GCB 5FA5A9BH 4110 NILES HILL ROAD WELLSVILLE, N.Y. 14895	G7 5 @ : I @ 8F5K B 6M A @ 5DDF 6M A @
A 5HF 5 @	H#09.	% L% a a '65FF9@HkF958 GD97 ÷ ÷ 7 5HC B	
: B-G<	8K ; ""BC "		F9J
8C BCHG75 @8F5K B:			