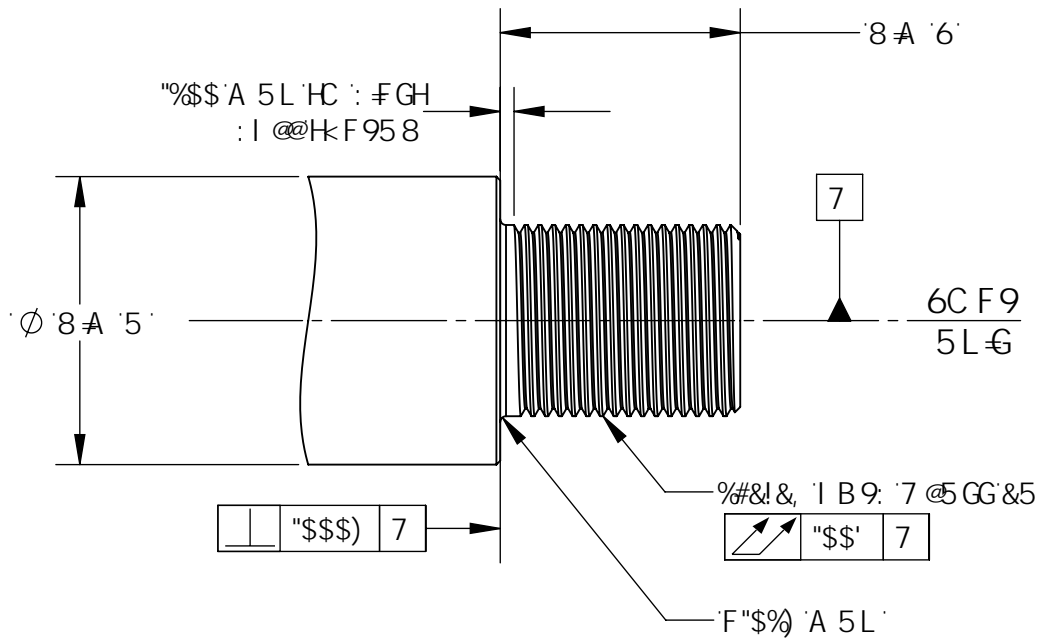


%#&! &, !! B9: !&5 '65FF9@HkF958 'GD97 ÷ ÷ 7 5HC B



6F5?9	8-A '5fi	8-A '6fi	
	A B-A I A	F97 C A A 9B898	F5B; 9
<MD9FH5D)) \$	** &)) \$\$!"*) \$
A (!+&) +)	** &)) \$\$!"+) \$
A %%) +)	** &)) \$\$!"+) \$
A (%)) +)	** &)) \$\$!"* &)
9: 56) +)	** &)) \$\$!"* &)

HC @F5B79G1B @GG CH: 9FK @9GD97 ÷ 98.	DFCDF-95FM5B87CB: -89BH5@	⑦ 7C DMF ÷ <H	85H9 \$(1% 1%
8A 9BGC BG5F9 B 'B7 <9 : F57 HC B5 @ ±%#" 5B: I @5F: ±% HK C D@579897 A 5 @ ±\$% HkF99 D@579897 A 5 @ ±\$%) 8-5 87 C B7 9BHF ÷ K ±H-B "\$%) HF F9A C J 96I FFG5B8 G: 5FD 98: 9G "\$%\$1 () ° A 5L	H-9-B: CFA 5HC B 7 C B H5 B 98-B H-G 8F5K B: G H-9GC @DFC D9FHMC: DF97 GC B 5FA 5A 9BH 5BM F9DFC8I 7HC B 'B D5FHCF 5G5" K <C @9K HkC I Hk9K F#9B D9FA @GC B C: DF97 GC B 5FA 5A 9BH6DFC <6#98"	DF97-GCB'5FA5A9BH 4110 NILES HILL ROAD WELLSVILLE, N.Y. 14895	G7 5 @ : I @ 8F5K B 6M A @ 5DDF 6M A @
A 5HF 5@	H# @.	%#&! &, 'I B9: '65FF9@HkF958 'GD97 ÷ ÷ 7 5HC B	
: B-G<	8K ; "'BC "		F9J
8C BCHG75 @8F5K B:			