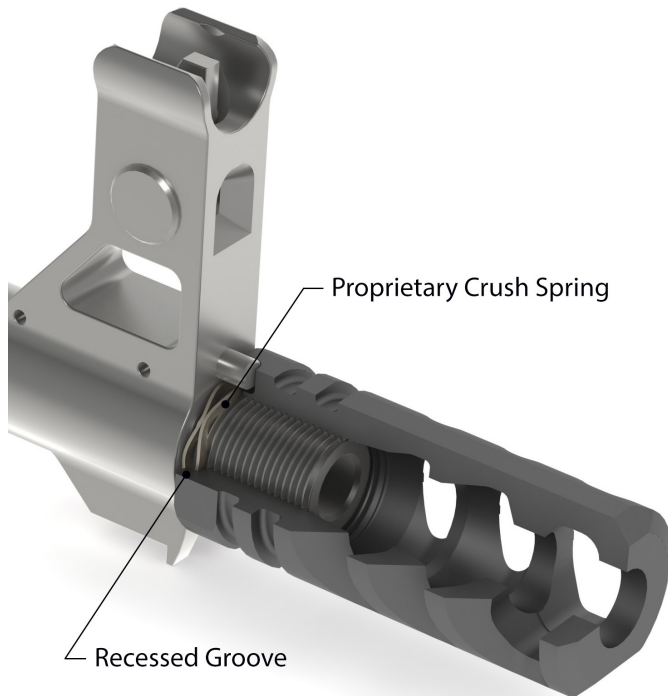
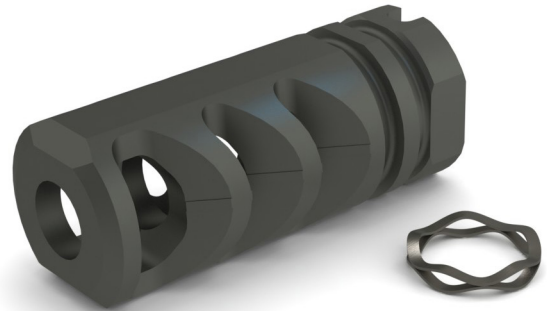


MAXIMUM RECOIL REDUCTION IN A COMPACT, RUGGED DESIGN

KEY DESIGN FEATURES

- **UNPARALLELED MUZZLE STABILITY**
Provides the same level of industry leading recoil reduction as the 223 and 308 models. Side vents are precisely canted upward to counteract muzzle climb and provide effortless muzzle control.
- **ADVANCED INSTALLATION SYSTEM**
Uses a heavy duty proprietary crush spring specially designed for the AK. Provides the required pre-load for rock solid fit and accurate alignment. Deeply recessed groove enshrouds crush spring for reliable load retention and a clean, seamless appearance.
- **SUPERIOR DURABILITY**
Precision CNC machined from a billet of heat treated stainless steel and features a high temperature resistant Ionbond® CrCN matte black finish.



PRODUCT SPECIFICATIONS

M4-72 AK47 Compensator	
Caliber	7.62x39mm
Thread Size	14x1mm LH
Installation	2 Crush Springs Included
Length	2.275"
Diameter	0.945"
Weight	3.0 oz.
Material	HTSR 416 Stainless Steel Bar, HRC 26-32
Finish	Ionbond® CrCN Matte Black
MSRP	\$99.99