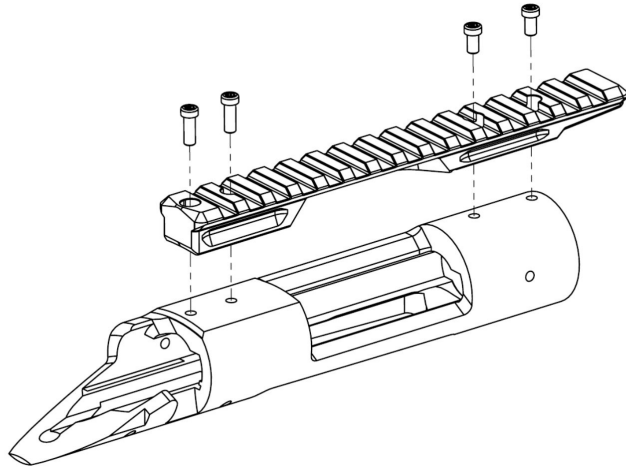




www.precisionarmament.com

MADE IN THE USA



Precision Armament Scope Rail Installation Guide

IMPORTANT: READ INSTRUCTIONS COMPLETELY BEFORE INSTALLATION.

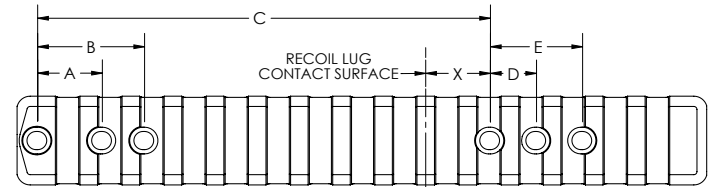
WARNING: MAKE SURE FIREARM IS UNLOADED BEFORE INSTALLATION. VISUALLY INSPECT CHAMBER, MAGAZINE, AND FIRING MECHANISM TO BE CERTAIN NO AMMUNITION IS IN THE FIREARM.

INSTALLATION: Properly clean and degrease all contact surfaces of sight rail, top of receiver, and threads on receiver and torx screws using a suitable solvent. For a professional installation, it is recommended to use an epoxy, Loctite, or other suitable bedding compound between the sight base and top of receiver. This is not required, however properly 'bedding' the sight rail to the receiver prior to final installation

eliminates open spaces between the contact surfaces and ensures the rail is not flexed under stress when mounted. A thread locking compound can also be applied to the mounting screws for a stronger and more permanent installation. Prior to fully tightening mounting screws, sight rail should be pressed and held all the way forward so that integral recoil lug makes positive contact with front shoulder of receiver loading port. Tighten torx screws to the following specs (T10 wrench required):

Torx Screw	Recommended Torque
#6-48	18 in-lbs
#8-40	25 in-lbs

CUSTOM #8-40 INSTALLATION: Machining dimensions for sight rails requiring custom drilling and tapping of receiver for #8-40 torx screws is provided below. These specifications match the nominal hole spacing dimension on our sight rails and the receiver per the manufacturer's spec's. For reference, the measurement from the recoil lug contact surface is included. After receiver modification is complete, refer back to previous installation instructions.



HOLE SPACING FOR TACTICAL DUTY #8-40 TORX SCREW MODELS

MODEL	X	A	B	C	D	E
REM-700 SA	0.556"	0.605"	1.000"	4.235"	0.431"	0.862"
REM-700 LA	0.556"	0.605"	1.000"	5.085"	0.431"	0.862"
FN-SPR	0.480"	0.430"	0.860"	4.375"	0.430"	0.860"

Copyright © 2014 Precision Armament, DOC -A005

www.precisionarmament.com

Precision Armament
Wellsville, NY 14895

PH: 1-800-724-3802
FAX: 1-585-593-5637