



www.precisionarmament.com

Precision Armament
Wellsville, NY 14895
PH: 1-800-724-3802
FX: 1-585-593-5637

MADE
IN THE USA



Precision Armament Accessory Rails SRC-8 & SRC-16 Installation Guide

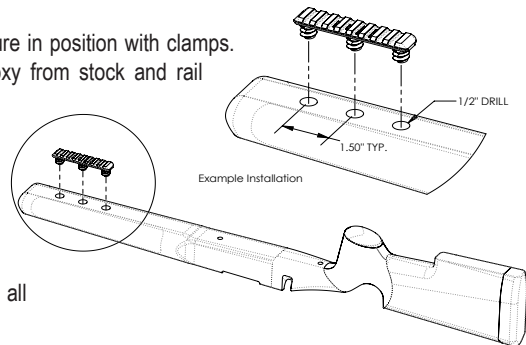
IMPORTANT: READ INSTRUCTIONS COMPLETELY BEFORE INSTALLATION.

WARNING: MAKE SURE FIREARM IS UNLOADED BEFORE INSTALLATION. VISUALLY INSPECT CHAMBER, MAGAZINE, AND FIRING MECHANISM TO BE CERTAIN NO AMMUNITION IS IN THE FIREARM.

Precision Armament Accessory Rails are designed to be a universal, easy-to-use epoxy-in method for attaching picatinny accessory rails to any position on your stock. Made from 7068 Tennalum® Alloy for the strength and hardness of steel at a third of the weight. Suitable to use on fiberglass or wood stocks. All models are made with identical 1.5" stud spacing to make it easy to modify existing installations for longer accessory rails.

INSTALLATION: Determine the desired location for accessory rail attachment, then follow the outlined steps:

1. Remove stock from firearm and fixture in a rigid position (be sure not to damage stock).
2. Evaluate depth of material available below mounting surface for stud engagement; determine an acceptable mounting hole depth that will not cause interference.
3. Drill 1/2" holes perpendicular to stock surface for each stud at the proper depth; drill all holes in-line and spaced 1.5" apart.
4. Mill, saw, or grind length of studs to match hole depths; check fit to make sure rail contact surface sits flush against stock.
5. Fill holes 2/3 full with epoxy bedding compound and press accessory rail into holes.
6. Align rail and secure in position with clamps. Clean excess epoxy from stock and rail surfaces.
7. Allow epoxy to fully cure, then reassemble stock to firearm.



Stud Spacing is 1.5" on all models

Copyright © 2014 Precision Armament, DOC -A007

www.precisionarmament.com

Precision Armament
Wellsville, NY 14895

PH: 1-800-724-3802
FX: 1-585-593-5637